
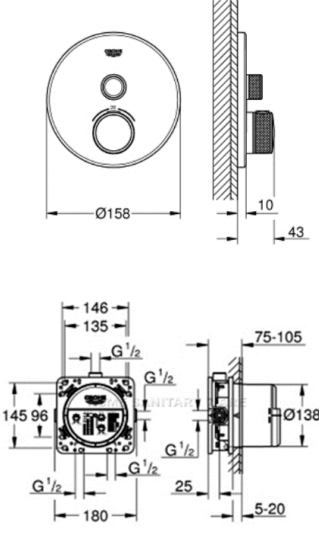







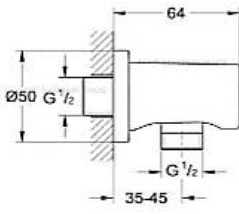

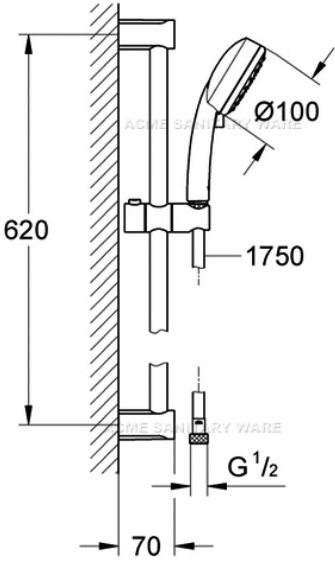










PROJECT		REF		REV	ITEM CODE	
LOCATION		DATE			PAGE	

## SANITARY WARE SPECIFICATION SHEET

<p><b>Grohtherm SmartControl</b>  <b>Thermostat for concealed installation with one valve</b>          set for final installation for          GROHE Rapido SmartBox 35 600 000          metal wall escutcheon with GROHE QuickFix (covered          escutcheon          and shaft sealing, covered fixing), retroactively 6°          adjustable  <b>GROHE StarLight</b> chrome finish          GROHE SmartControl push for ON-OFF, turn for          volume adjustment from EcoJoy to full flow          exchangeable symbols          GROHE TurboStat compact cartridge          with wax thermoelement          GROHE SafeStop safety button at 38°C          ( calibration required )          GROHE SafeStop Plus optional temperature limiter at          43°C included          built-in non return valve          and dirt strainers          without roughing-in-set          flow performance:          outlet A (to external shut-off) = 34 l/min          outlet B/C = 29 l/min</p>	<p><b>GROHE Rapido SmartBox</b>          Universal rough-in box, 1/2"          3 outlets 1/2"          2 inlets below, 1/2"          installation depth 75-105 mm          connection unit in DR brass          pre-mounted flushing plug          stable build-in box and protective cover          fixing options for solid walls and dry          cladding          gasket          without set for final installation</p> 	<p style="text-align: center;">Illustration/ Drawing</p>   <div style="float: right; text-align: center;">        </div>
--	---	---

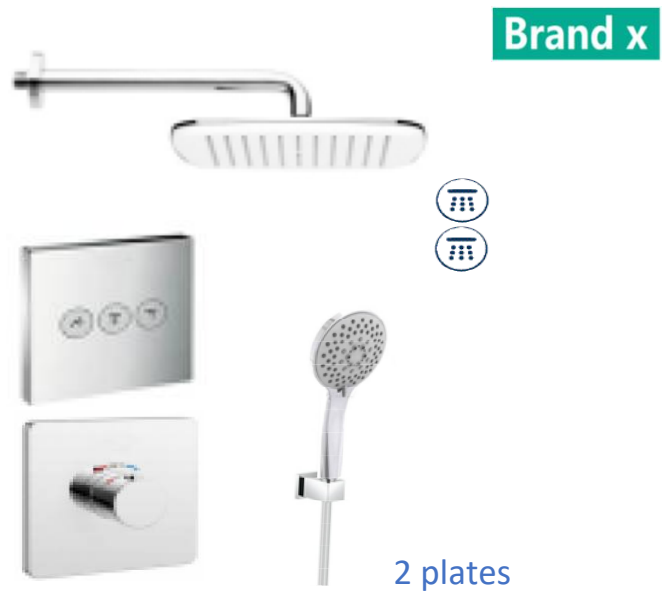
<p>New Tempesta Cosmopolitan 100          Shower rail set 2 sprays          Consisting of:          hand shower Tempesta Cosmopolitan 100 (27 571 20E)          shower rail, 600mm (27 521)          Relexaflex hose 1750 mm 1/2" x 1/2" (28 154)  <b>GROHE EcoJoy</b> 5.7 l/min. flow limiter  <b>GROHE DreamSpray</b> perfect spray pattern  <b>GROHE StarLight</b> chrome finish  <b>SpeedClean</b> anti-limescale system          Inner WaterGuide for a longer life</p> <p>Rainshower®          Shower outlet elbow, 1/2"          male threadwith round escutcheon          Protected against backflow  <b>GROHE StarLight®</b> chrome finis</p>	 	  <div style="float: right; text-align: center;">          </div>
--	---	---

Note:

\* All information of the above is for the reference only. No prior notice is made if any changes.

# 3 Key advantageous comparisons with another brand

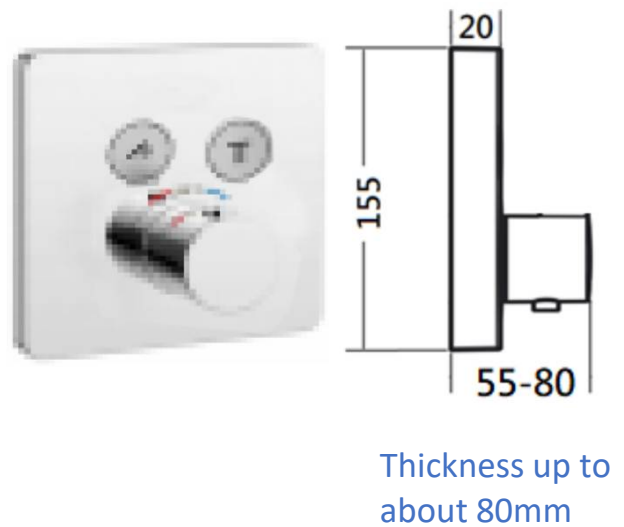
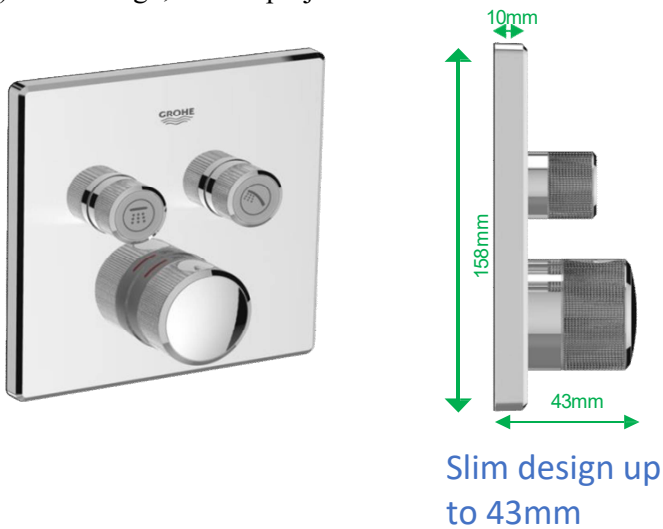
1) Only 1 wall plate needed = Half expenditures



2) Integrated Volume Control



3) Slim Design, shorter projection







Waterworks Department

香港灣仔道七號入境事務大樓 48 樓  
48/F, Immigration Tower, 7 Gloucester Road, Wan Chai, Hong Kong

本署檔號 : (6) in WSD 3321/18 Pt.1 T/J(239)  
Our ref.  
來函檔號 :  
Your ref.


電話 :  
Tel.  
傳真 : 2824 0578  
Fax.

6 September 2018

### Approval of "GROHE" Thermostatic Mixing Valves (General Acceptance No. C20180590)

Your letter ref. WRC/1649 dated 21 February 2018 and subsequent submission received by this department on 2 August 2018 refer.

Having considered the test report ref. J21968-1r2 issued on 26 July 2018 by Nutek Systems (HK) Ltd., this Authority accepts that the fittings described below comply with, and their use when correctly installed does not contravene, the Waterworks Ordinance and Regulations.

**Name of Manufacturer:** Grohe AG  
**Country of Origin:** Germany  
**Brand:** Grohe  
**Details of Fitting:** 1/2" Concealed thermostatic mixing valve  
**Model:** 35600000 + 29118000  
35600000 + 29150LS0  
35600000 + 29123000  
35600000 + 29153LS0  
**Body Markings:** 



**Expiry Date:** 23 October 2022

This Authority hereby permits the use of the above fittings in fresh water plumbing systems subject to full adherence to Waterworks installation requirements. In particular, you are required to draw your customers' attention to the following requirement-

"The cold water supply to the fittings shall be drawn from the same source that supplies the hot water apparatus so as to provide a balanced pressure and to obviate the risk of scalding in the event of a restriction or failure in the water supply." AND

"The shower head or handspray should not be placed in submerged conditions and should be securely fixed to the original position after use."

A condition of this acceptance is that the fittings to be installed shall be replicas of the samples as certified by the testing agent mentioned above and without modifications. This acceptance may be withdrawn at any time if the standard of the fittings installed fails to meet that of the approved samples or if the fittings are found to be unsuitable for use in fresh water plumbing systems.

This acceptance is only applicable to the main body of the fittings, unless other specified.

For the use of the fittings in any project, the General Acceptance Number of this letter must be quoted as a means of identification of acceptance of the fittings by this Authority.

Should you have any enquiries, please contact our Engineer Mr. Terry KUNG at tel. no. 3583 4086.

Yours faithfully,



(CHAN Chung-kun)

for Director of Water Supplies

Encl.

c.c. WSD 3321/1/82 ] - without catalogue  
ME/MC ] - with soft copy only

註冊號碼 (Registration No.): SB 18-0094




自願參與用水效益標籤計劃 - 沐浴花灑  
Voluntary Water Efficiency Labelling Scheme - Showers for Bathing



This is to certify that

將下列花灑在本計劃內註冊：  
has registered the following shower under this scheme :

牌子 / Brand	:	GROHE
型號 / Model	:	275712XE
原產地 / Country or Region Origin	:	Germany

在用水效益標籤上展示的標誌 <i>Symbolic Presentation on the Water Efficiency Label</i>	:		滴水點 <i>Water droplet(s)</i>
用水效益級別 <i>Water Efficiency Grade</i>	:	1	
耗水量 <i>Water Consumption</i>	:	5.3	公升/分鐘 <i>litres/minute</i>

簽發日期:  
Date of Issue: 30 April 2018

 水務署  
Water Supplies Department



水務署署長(周世威代行)  
for Director of Water Supplies

## SMARTCONTROL THERMOSTAT RANGE AT A GLANCE

## MIXERS RANGE AT A GLANCE

### CUBE



**29 123 000**  
Grotherm SmartControl,  
single



**29 124 000**  
Grotherm SmartControl,  
double



**29 125 000**  
Grotherm SmartControl,  
double, integrated  
handshower union



**29 126 000**  
Grotherm SmartControl,  
triple



**29 127 000**  
Grotherm SmartControl,  
triple valve

### ROUND



**29 118 000**  
Grotherm SmartControl,  
single



**29 119 000**  
Grotherm SmartControl,  
double



**29 120 000**  
Grotherm SmartControl,  
double, integrated  
handshower union



**29 121 000**  
Grotherm SmartControl,  
triple



**29 122 000**  
Grotherm SmartControl,  
triple valve

### CUBE ACRYLIC GLASS



**29 153 LS0**  
Grotherm SmartControl,  
single



**29 156 LS0**  
Grotherm SmartControl,  
double



**29 157 LS0**  
Grotherm SmartControl,  
triple



**29 158 LS0**  
Grotherm SmartControl,  
triple valve

### ROUND ACRYLIC GLASS



**29 150 LS0**  
Grotherm SmartControl,  
single



**29 151 LS0**  
Grotherm SmartControl,  
double



**29 904 LS0**  
Grotherm SmartControl,  
triple



**29 152 LS0**  
Grotherm SmartControl,  
triple valve



# CONFIGURATIONS

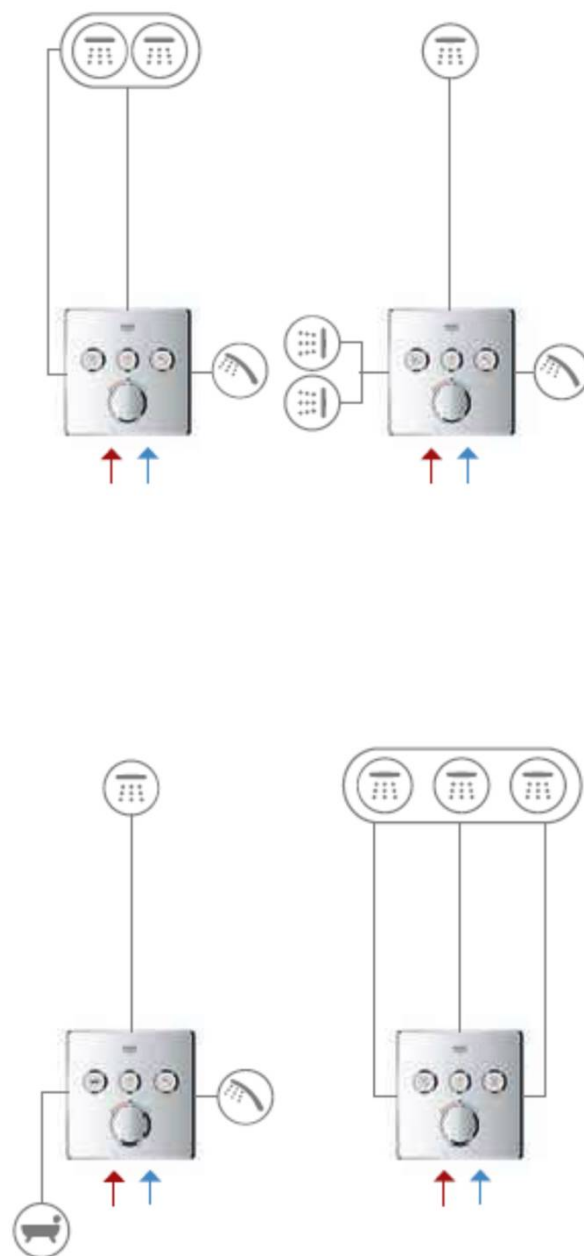
## SINGLE (THM + MIXER)



## DOUBLE (THM + MIXER)

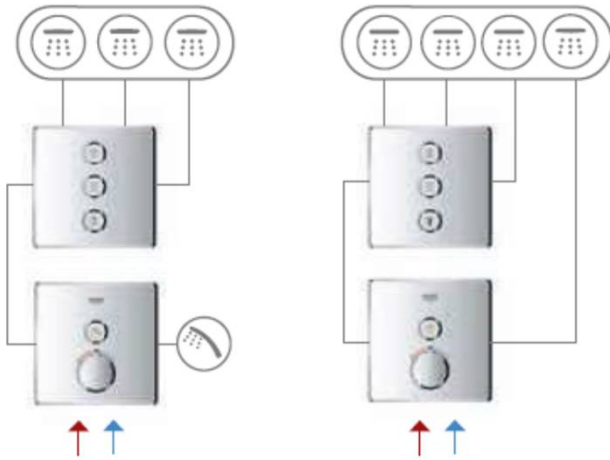
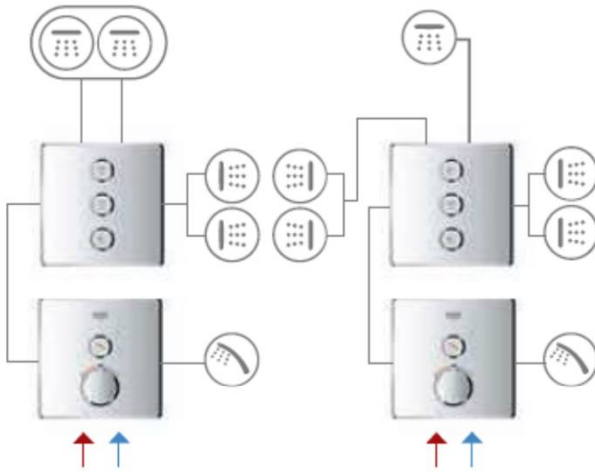


## TRIPLE (THM + MIXER)

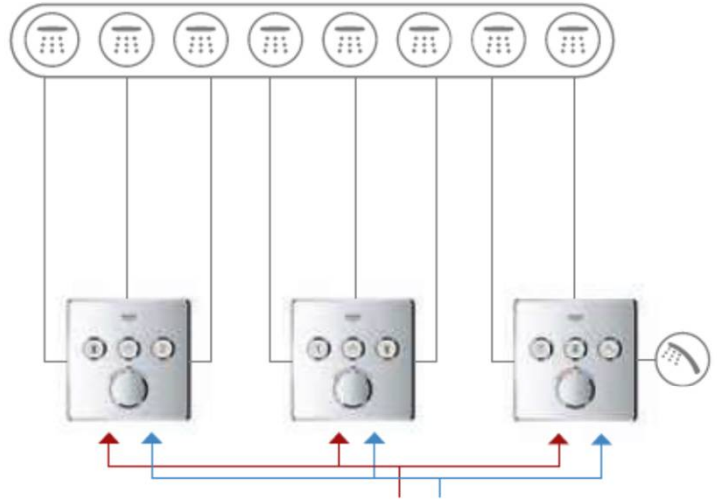


# CONFIGURATIONS

## COMBINATION (THM)



## COMBINATION WITH AQUASYMPHONY



### TEMPERATURE ZONE 1

- 1. WATERFALL 
- 2. RAIN 
- 3. BOKOMA 

### TEMPERATURE ZONE 2

- 1. PURE 
- 2. RAIN 
- 3. WATERFALL 

### TEMPERATURE ZONE 3

- 1. DRIZZLE 
- 2. AQUA CURTAIN 
- 3. HANDSHOWER 

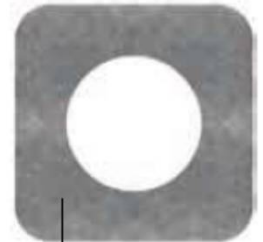
# ACCESSORIES

We gave the GROHE Rapido SmartBox its name for a reason: it is full of clever innovations and able to adapt to every one of your projects. Combine it with any GROHE SmartControl Concealed trim set for a doubly smart solution. Find out more about the many clever details of this rough-in and how to combine it with the range of add-ons.

## ROUGH-IN SHIPMENT

build-in box for fixing,  
sealing and noise isolation

flexible retaining ring  
for optional backside  
installation



sealfleece

solid brass ring with  
1/2" connections to  
water supply

plug (2 pcs), to block  
inlets during rough  
installation



flushing plug to flush  
hot and cold water  
supply and to flush  
the outlets



## TRIM-SET SHIPMENT

build-in silencer

build-in non-return  
valves and dirt  
strainers

location to screw  
service stops



**optional service stops**  
1405300M (2 pcs)



build-in silencer

build-in non-return  
valves and dirt  
strainers

location to screw  
service stops



**optional backflow  
protection combination**  
(EN1717)



**optional service stops**  
1405300M (2 pcs)

location to screw  
backflow protection combination



build-in silencers

build-in non-return  
valves and dirt  
strainers

location to screw  
service stops



**optional service stops**  
1405300M (2 pcs)





## THE MORE YOU KNOW, THE MORE YOU'LL LOVE IT.

The GROHE Rapido SmartBox has a multitude of well thought through features. If you take a little time to become acquainted with them, you'll quickly realise how the GROHE Rapido SmartBox will enable you to work more efficiently and effectively.

